



DIPLOMATIC
HYDRAULICS

53 300/104 ED



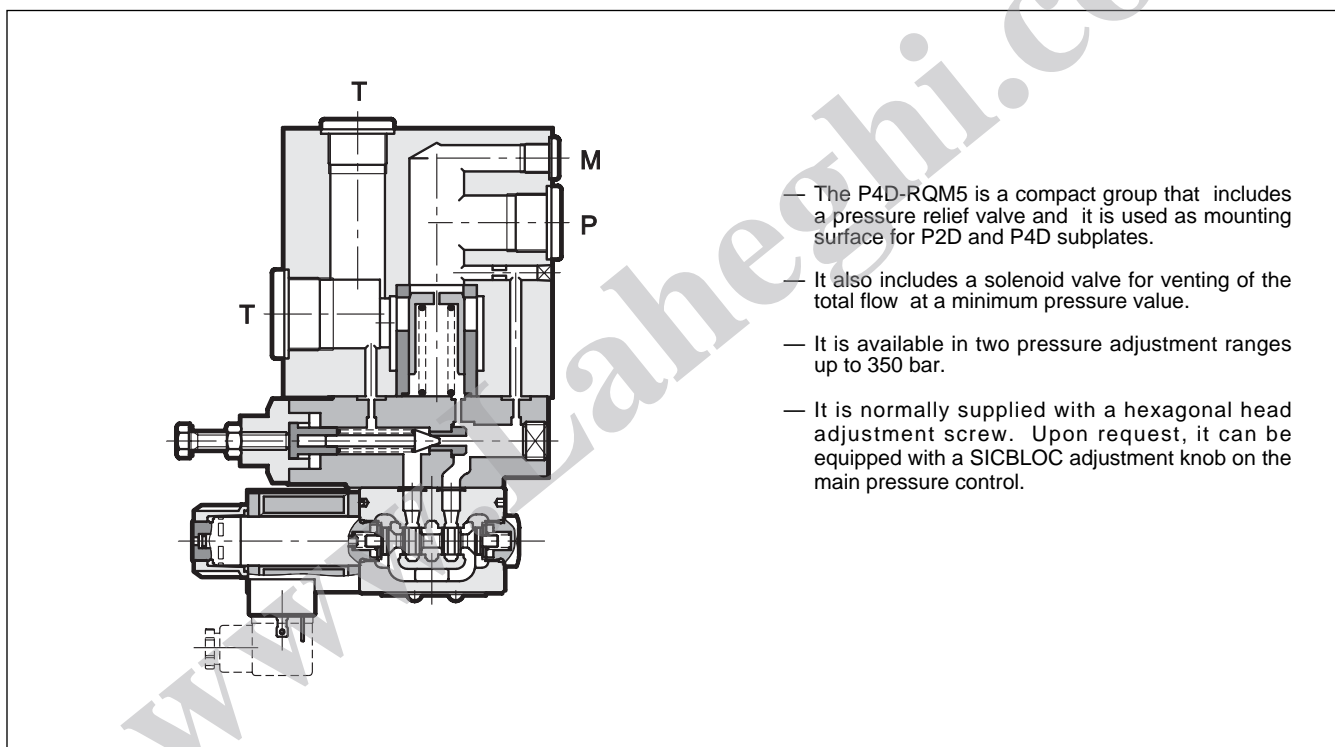
P4D-RQM5

**MODULAR SUBPLATE
WITH PRESSURE RELIEF VALVE
AND UNLOADING SOLENOID VALVE**
SERIES 30

p max 350 bar

Q max 250 l/min

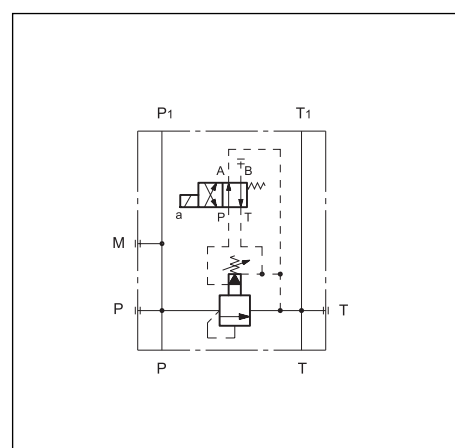
OPERATING PRINCIPLE



PERFORMANCE RATINGS (measured with mineral oil of viscosity 36cSt at 50°C)

Maximum operating pressure	bar	350
Maximum flow on P (3/4") and T (1")	l/min	250
Maximum flow on P1 and T1 (1/2")	l/min	120
Minimum flow	l/min	10
Ambient temperature range	°C	-20 ÷ +50
Fluid temperature range	°C	-20 ÷ +80
Fluid viscosity range	cSt	10 ÷ 400
Recommended viscosity	cSt	25
Degree of fluid contamination	According to NAS 1638 class 10	
Mass	kg	10

HYDRAULIC SYMBOL



NOTE: for the solenoid valve DS3 characteristics see catalogue 41 150



P4D-RQM5

SERIES 30

1 - IDENTIFICATION CODE

P	4	D	-	R	Q	M	5	-	/	/	30	-	K1	/	
---	---	---	---	---	---	---	---	---	---	---	----	---	----	---	--

Subplate
CETOP 05 dimension

Pressure relief valve
with unloading solenoid valve

DN 25 nominal dimension

Pressure adjustment range
5 = 250 bar 6 = 350 bar

M = SICBLOC adjustment knob
(omit for hexagonal head
adjustment screw)

Series: (the overall and mounting dimensions
remain unchanged from 30 to 39)

Seals:
N = NBR seals for mineral oil (**standard**)
V = FPM seals for special fluids

NOTE: The locking rings of the coils and the relevant O-Rings are supplied together
with valves.

Manual override:
omit for override
integrated in the
tube (**standard**)
CM = manual
override, boot
protected

Coil electrical connection:
plug for connector type DIN
43650 (**standard**)

DC power supply

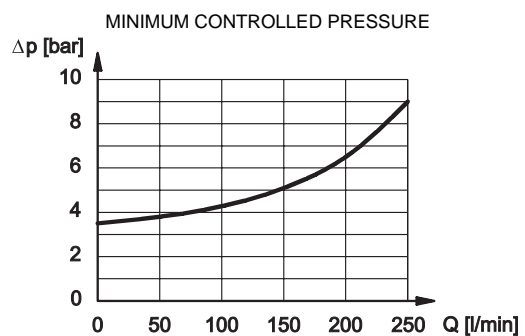
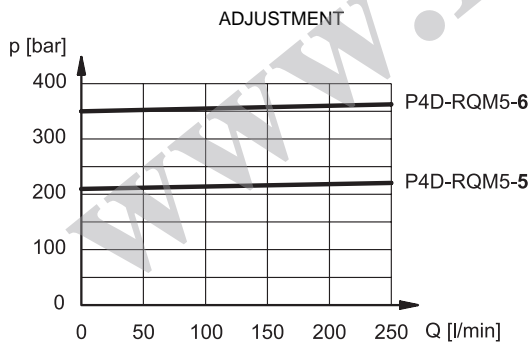
D12 = 12 V
D24 = 24 V
D48 = 48 V
D110 = 110 V
D220 = 220 V
D00 = valve without coils (see note)

AC power supply

A24 = 24 V - 50 Hz
A48 = 48 V - 50 Hz
A110 = 110 V - 50 Hz / 120 V - 60 Hz
A230 = 230 V - 50 Hz / 240 V - 60 Hz
A00 = valve without coils (see note)

F110 = 110 V - 60 Hz
F220 = 220 V - 60 Hz

2 - CHARACTERISTIC CURVES (values obtained with viscosity of 36 cSt at 50°C)



NOTE: The maximum flow deliverable to P₁ port is 120 l/min (for P2D and P4D modular subplates).
The maximum flow through the pressure relief valve (additional 3/4" BSP P port) is 250 l/min.

3 - HYDRAULIC FLUIDS

Use mineral oil-based hydraulic fluids, with the addition of suitable anti-frothing and anti-oxidizing agents.
For the use of other types (water glycol, phosphate esters and others), please consult our technical department.



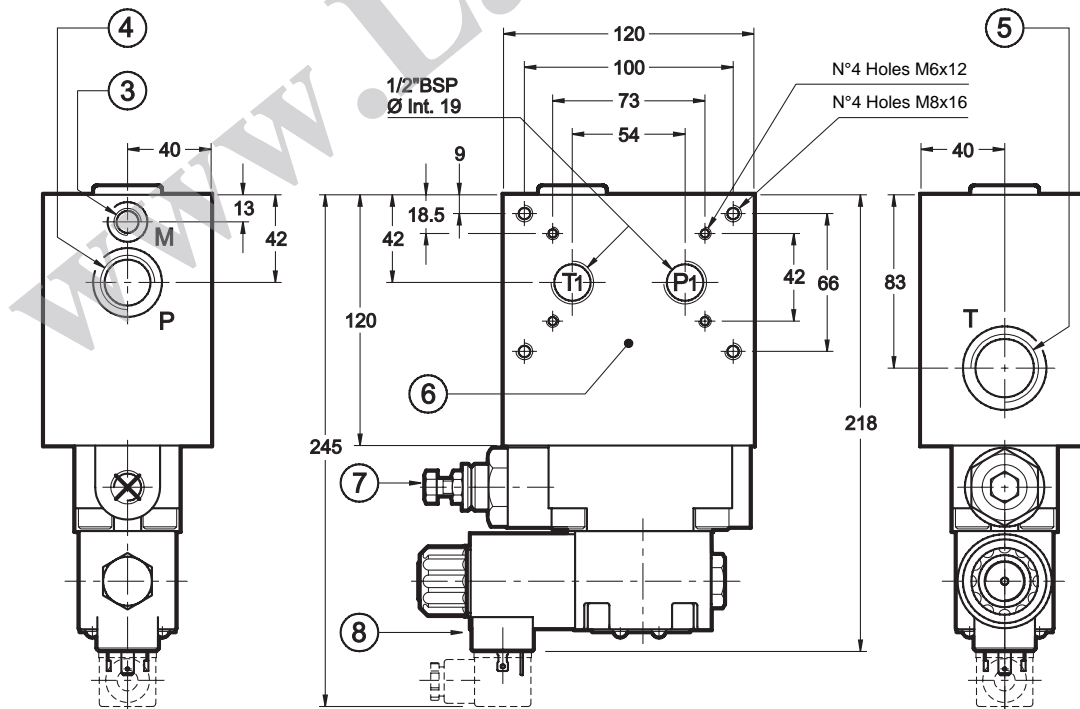
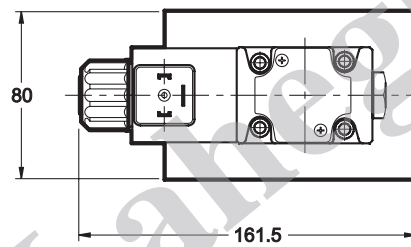
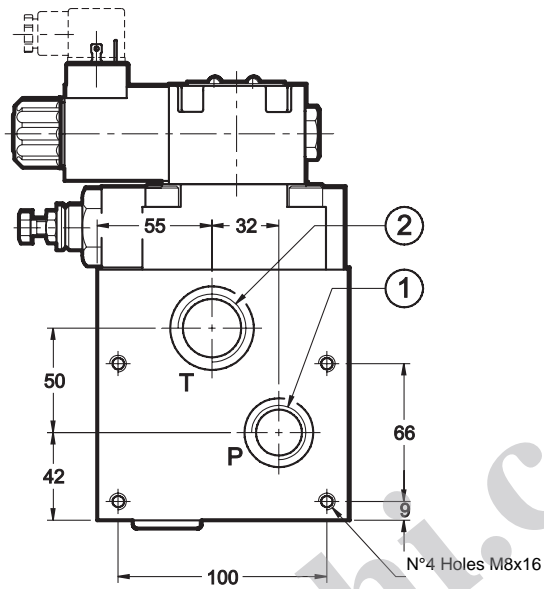
P4D-RQM5

SERIES 30

4 - OVERALL AND MOUNTING DIMENSIONS

1	Pressure port P 3/4" BSP
2	Tank port T 1" BSP
3	Pressure gauge port M 1/4" BSP
4	Additional P port 3/4" BSP
5	Additional T port 1" BSP
6	Mounting surface for: P2D (CETOP 03) P4D (CETOP 05)
7	Hexagonal head pressure adjustment screw: spanner 13 Clockwise rotation to increase pressure
8	Unloading solenoid valve

dimensions in mm



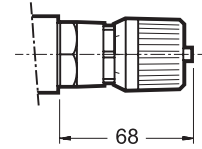


P4D-RQM5

SERIES 30

5 - ADJUSTMENT KNOB

The P4D-RQM5 valves can be equipped with a SICBLOC adjustment knob.
To operate it, push and rotate at the same time.
To request this option, add: /M (see par.1).



6 - ELECTRIC CONNECTORS

The solenoid valves are never supplied with connector.
Connectors must be ordered separately.
For the identification of the connector type to be ordered, please see catalogue 49 000.

7 - MANUAL OVERRIDE, BOOT PROTECTED: CM

Whenever the solenoid valve installation may involve exposure to atmospheric agents or utilization in tropical climates, use of the manual override, boot protected, is recommended. Add the suffix **CM** to request this device (see par. 1). For overall dimensions see cat. 41 150.

www.Laheghi.com



DUPLOMATIC OLEODINAMICA SpA

20025 LEGNANO (MI) - P.le Bozzi, 1 / Via Edison
Tel. 0331/472111 - Fax 0331/548328